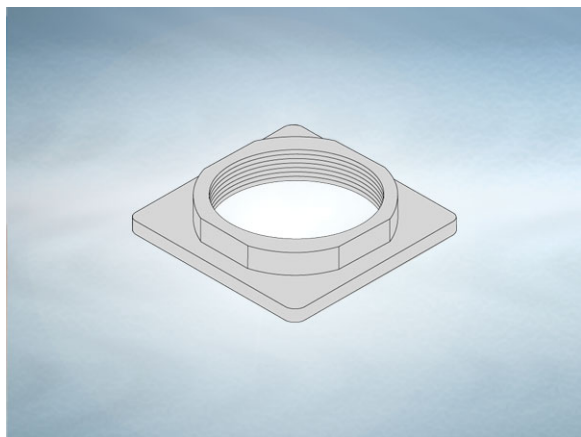


Product Details

T1302 Gully Adaptor

Technical Data



Dimensions:

150 square overall size

30 - Overall Height

Connection - 150mm square top proprietary Clay or PVC gully body

Materials - Cast iron, lacquered

Weight - 2 kg

General Description:

Cast Iron T series Vari-Level Gully Adaptor (For use with 3" throat Vari-Level Grating / Cover). To connect Vari-Level grating to proprietary clay or PVC body. Increased range of height adjustability is obtainable by reversing the adaptor.

Materials:

Cast Iron - BS EN 1561: Used for bodies, membrane clamping collars, spigot adaptors and accessories such as extensions. A widely used metal in the drainage industry, its resistance to corrosion permits extended use under extreme conditions. Castings are coated with a high grade lacquer paint to provide internal and external surface coverage. Paint will gradually wear off and is replaceable; oxidation (surface rusting) is a natural process which does not weaken the material. A zinc anti-corrosion coating is applied to certain castings by sherardizing.

All dimensions are in millimetres unless stated. In line with general practice all dimensions shown are nominal.

Wade International

Third Avenue, Halstead, Essex, CO9 2SX.

Telephone: +44 (0)1787 475151

Fax: +44 (0)1787 475579

e-mail: wadetech@alumascwms.co.uk

website: <https://www.alumascwms.co.uk/brands/wade/>

Dimensioned Section for T1302:

