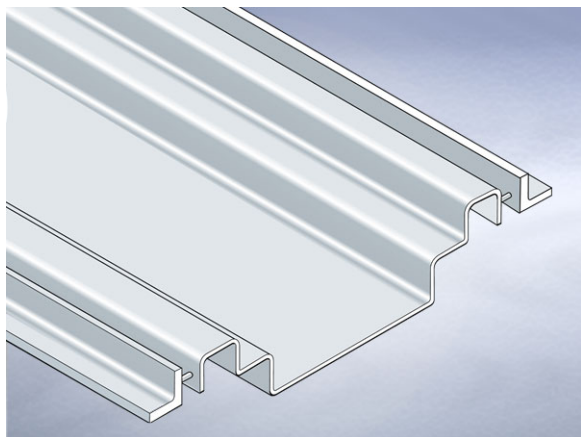


Product Details

PA Channel

Technical Data



Dimensions:

-

Materials - Stainless steel

General Description:

Stainless Steel Perimeter Angle Frame Channel. Helps prevent breakage of tiles alongside the channel edge where heavy loads may be present.

Options:

To specify an option, add option letter(s) as a suffix to the Spec. Code

B - filter bucket

DSD - double secondary drainage

S - support bar

SSD - single secondary drainage

T - with optional tile upstand

Materials:

Stainless Steel - Austenitic Grade 304 (Grade 316 optional on most products): Used for bodies, gratings, funnels, access covers, filter buckets and fixings. A corrosion-resistant metal containing significant amounts of nickel and chromium; AISI grade 304 stainless steel is used as standard, which is suitable for general use in and around buildings including most coastal locations. In applications such as swimming pools or having an aggressive atmosphere, grade 316 is recommended and is available optionally (if available, code 'M' will be listed under 'Options'). An even higher grade may be required for applications in highly corrosive environments including where exposure to seawater may be anticipated. Clean with soap and warm water rinse and wipe dry. Gratings may also be cleaned in certain dishwashers. Under no circumstances treat with metal scouring pads, metal scrapers or wire wool as these will contaminate surfaces leaving rust spots. Take care to cover stainless steel items when site work is going on, to avoid contamination with rust-inducing particles such as when mild steel or cast iron items are being cut.

All dimensions are in millimetres unless stated. In line with general practice all dimensions shown are nominal.

Wade International

Third Avenue, Halstead, Essex, CO9 2SX.

Telephone: +44 (0)1787 475151

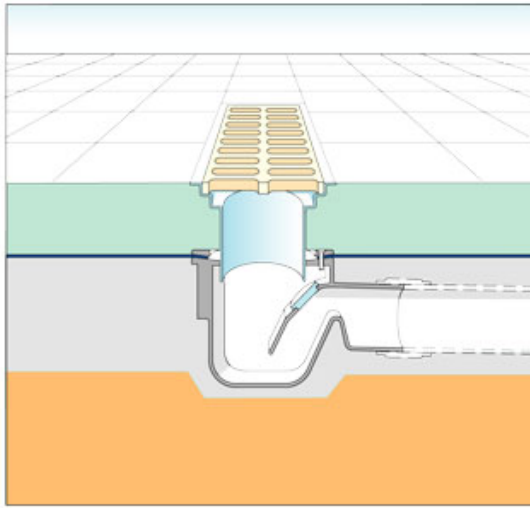
Fax: +44 (0)1787 475579

e-mail: wadetech@alumascwms.co.uk

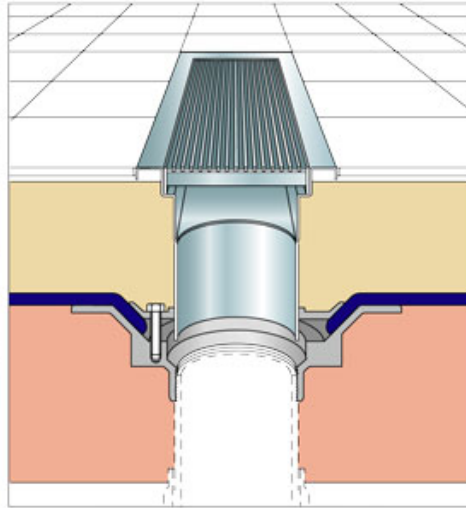
website: <https://www.alumascwms.co.uk/brands/wade/>

Typical Installation for PA:

Note: This illustration may show a similar Wade Product - it is intended to show the general installation type only.



With 'P' trapped body.



With non-trapped body.

Dimensioned Section for PA:

