

## Product Details

### D1003LD Non-Trapped Body for use with Bituminous Membrane **Technical Data**

**Dimensions:**

305 dia. body

90 - Height below Body Flange

**Connection** - female 3" BSP threaded connection (75mm)

**Free Area** - 44cm<sup>2</sup>

**Materials** - Cast iron, lacquered

**Weight** - 4.3 kg

**General Description:**

Cast Iron D10 - D12 series Non-Trapped Body for use with Bituminous Membrane (Version for use with Wade stainless steel drainage channels), with 3" BSP dia. vertical outlet. D1003 gullies have a wide flange to enable effective clamping of a bituminous damp-proof membrane. Membrane clamping collar is machined to accept a standard 114 diameter channel outlet spigot.

**Options:**

To specify an option, add option letter(s) as a suffix to the Spec. Code  
W - weepholes (provide supplementary drainage at membrane level)

**Materials:**

**Cast Iron - BS EN 1561:** Used for bodies, membrane clamping collars, spigot adaptors and accessories such as extensions. A widely used metal in the drainage industry, its resistance to corrosion permits extended use under extreme conditions. Castings are coated with a high grade lacquer paint to provide internal and external surface coverage. Paint will gradually wear off and is replaceable; oxidation (surface rusting) is a natural process which does not weaken the material. A zinc anti-corrosion coating is applied to certain castings by sherardizing.

---

All dimensions are in millimetres unless stated. In line with general practice all dimensions shown are nominal.

Wade International

Third Avenue, Halstead, Essex, CO9 2SX.

Telephone: +44 (0)1787 475151

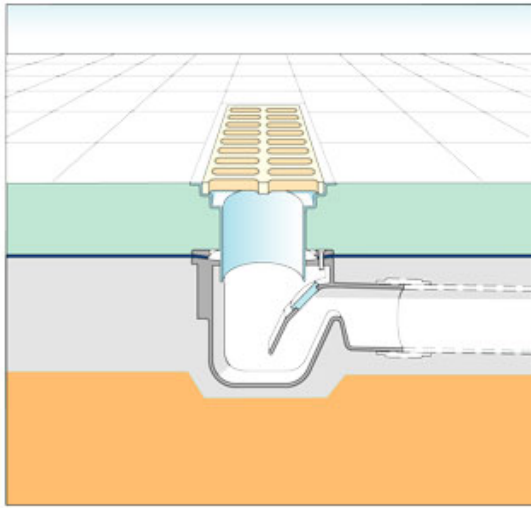
Fax: +44 (0)1787 475579

e-mail: [wadetech@alumascwms.co.uk](mailto:wadetech@alumascwms.co.uk)

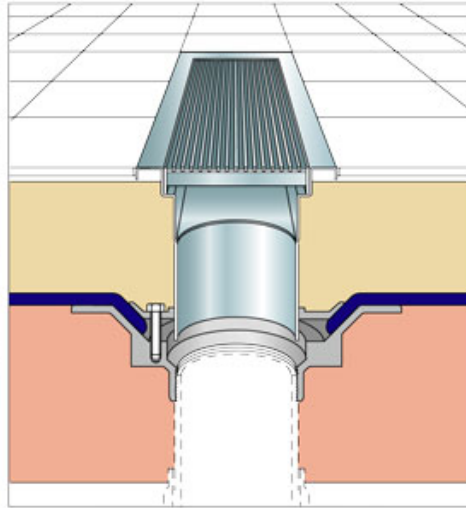
website: <https://www.alumascwms.co.uk/brands/wade/>

**Typical Installation for D1003LD:**

Note: This illustration may show a similar Wade Product - it is intended to show the general installation type only.



With 'P' trapped body.



With non-trapped body.

**Dimensioned Section for D1003LD:**