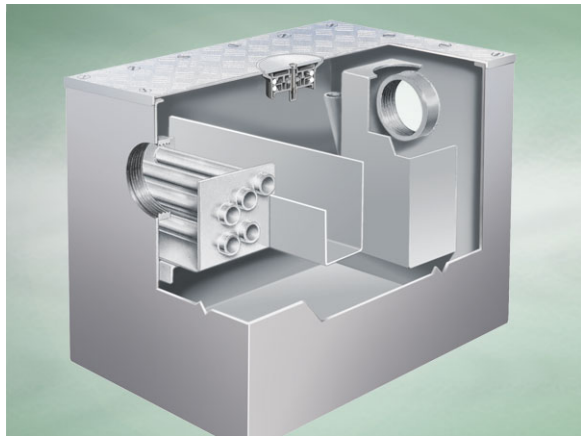


## Product Details

### 6080H Actimatic Grease Converter

### Technical Data



#### Dimensions:

669 x 988 overall size  
569 - Min. Overall Height  
150 to 1990 - 'C' dimension range; centre line of pipework to top of tank specify in 10mm increments  
- depth body flange to outlet center line  
35 to 75 -max dimension from FFL to underside of hanger frame

**Connection** - female 4" BSP threaded connection (100mm)

**Materials** - Stainless steel

**Weight** - 180.1 kg

#### General Description:

Stainless Steel Hanger Type Actimatic Grease Converter (Fully recessed in intermediate floor), with 4" BSP dia. horizontal outlet. A Wade Actimatic Grease Converter provides a NATURAL, safe and environmentally-friendly means of PERMANENTLY converting grease to bio-degradable products.

#### Options:

To specify an option, add option letter(s) as a suffix to the Spec. Code

HD - heavy duty stainless steel covers (class D400)

REC - stainless steel cover recessed to accept flooring

SVF - cover and frame to allow clamping of flexible sheet flooring

#### Materials:

**Stainless Steel - Austenitic Grade 304 (Grade 316 optional on most products):** Used for bodies, gratings, funnels, access covers, filter buckets and fixings. A corrosion-resistant metal containing significant amounts of nickel and chromium; AISI grade 304 stainless steel is used as standard, which is suitable for general use in and around buildings including most coastal locations. In applications such as swimming pools or having an aggressive atmosphere, grade 316 is recommended and is available optionally (if available, code 'M' will be listed under 'Options'). An even higher grade may be required for applications in highly corrosive environments including where exposure to seawater may be anticipated. Clean with soap and warm water rinse and wipe dry. Gratings may also be cleaned in certain dishwashers. Under no circumstances treat with metal scouring pads, metal scrapers or wire wool as these will contaminate surfaces leaving rust spots. Take care to cover stainless steel items when site work is going on, to avoid contamination with rust-inducing particles such as when mild steel or cast iron items are being cut.

All dimensions are in millimetres unless stated. In line with general practice all dimensions shown are nominal.

Wade International

Third Avenue, Halstead, Essex, CO9 2SX.

Telephone: +44 (0)1787 475151

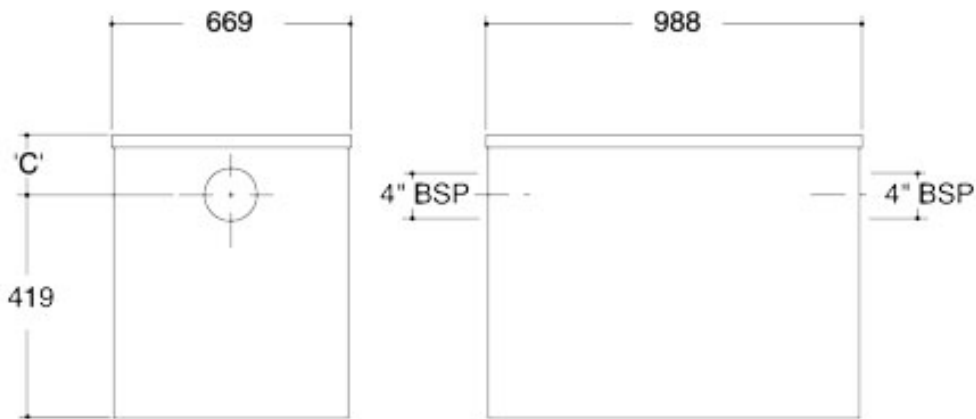
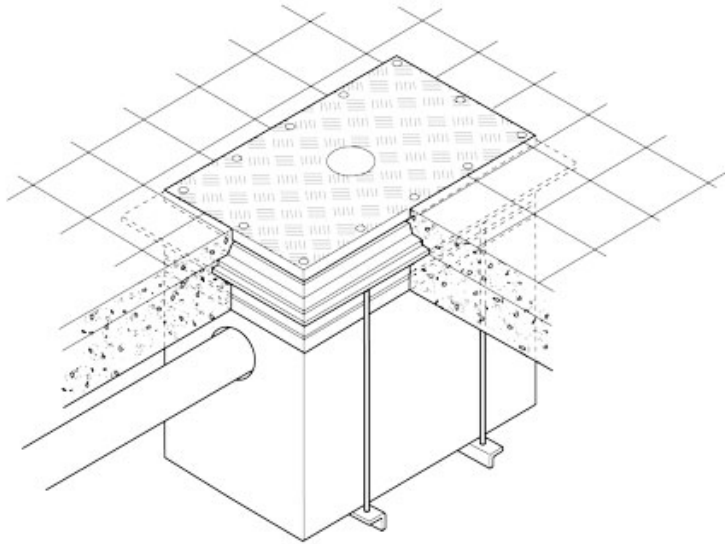
Fax: +44 (0)1787 475579

e-mail: wadetech@alumascwms.co.uk

website: <https://www.alumascwms.co.uk/brands/wade/>

**Typical Installation for 6080H:**

Note: This illustration may show a similar Wade Product - it is intended to show the general installation type only.



Required slab opening: 1020 x 730  
Finished floor level to underside of hanger frame is adjustable from 35mm min to 75mm max.  
(55mm min to 95mm max with a SVF cover option).