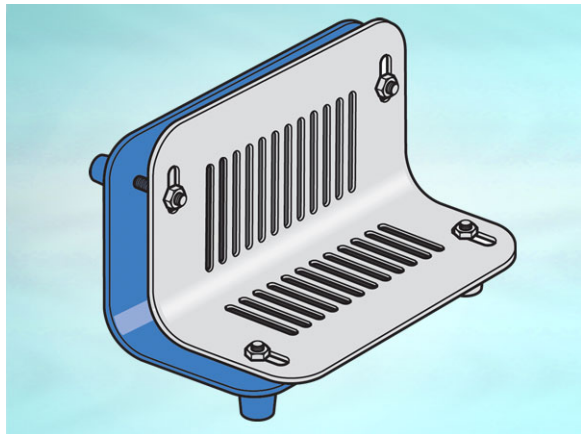


## Product Details

### WF176 Reversible Outlet

### Technical Data



#### Dimensions:

290 x 158 at finish level

290 x 183 body

191 - Height below Body Flange

91 - depth body flange to outlet center line

**Connection** - female 6" BSP threaded connection (150mm)

**Free Area** - body= 176cm<sup>2</sup>, grating= 120cm<sup>2</sup>

**Materials** - Grating - aluminium; Body - cast iron, lacquered

**Weight** - 11.3 kg

#### General Description:

290 x 158 Cast Iron Parapet Reversible Outlet, with 6" BSP dia. horizontal outlet. Parapet outlet with reversible body to provide horizontal or vertical threaded outlet.

#### Options:

To specify an option, add option letter(s) as a suffix to the Spec. Code

G - gravel guard

#### Materials:

**Aluminium:** Used for parapet gratings and grease converter covers. A light, corrosion resistant and maintenance free material; may be cleaned using standard floor cleaning solutions.

**Cast Iron - BS EN 1561:** Used for bodies, membrane clamping collars, spigot adaptors and accessories such as extensions. A widely used metal in the drainage industry, its resistance to corrosion permits extended use under extreme conditions. Castings are coated with a high grade lacquer paint to provide internal and external surface coverage. Paint will gradually wear off and is replaceable; oxidation (surface rusting) is a natural process which does not weaken the material. A zinc anti-corrosion coating is applied to certain castings by sherardizing.

All dimensions are in millimetres unless stated. In line with general practice all dimensions shown are nominal.

Wade International

Third Avenue, Halstead, Essex, CO9 2SX.

Telephone: +44 (0)1787 475151

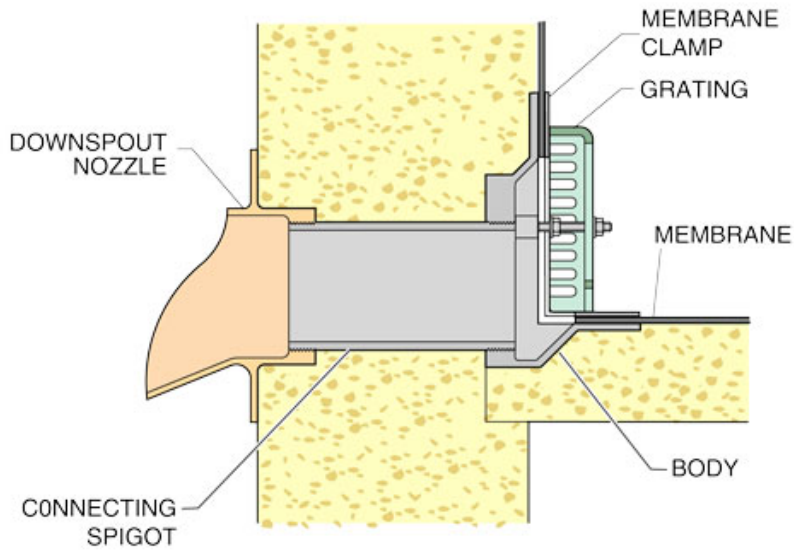
Fax: +44 (0)1787 475579

e-mail: [wadetech@alumascwms.co.uk](mailto:wadetech@alumascwms.co.uk)

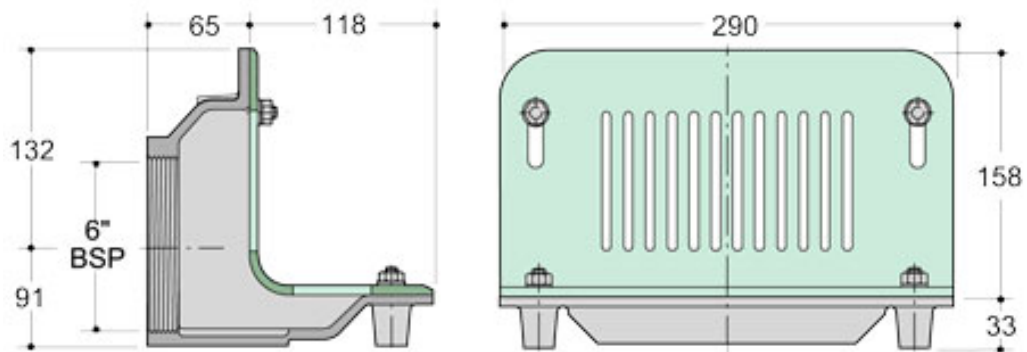
website: <https://www.alumascwms.co.uk/brands/wade/>

**Typical Installation for WF176:**

Note: This illustration may show a similar Wade Product - it is intended to show the general installation type only.



**Dimensioned Section for WF176:**



**Flow Performance Figures for WF176:**

<b>Head of water at outlet</b>	<b>15mm</b>	<b>20mm</b>	<b>25mm</b>	<b>30mm</b>	<b>35mm</b>	<b>40mm</b>	<b>50mm</b>
<b>Flow Rate (l/s):</b>	0.88	1.19	1.49	1.74	1.91	2.07	2.55
<b>Roof area drained (m<sup>2</sup>) at 0.021 l/s per m<sup>2</sup> rainfall rate:</b>	42	57	71	83	91	99	121

**Note:** Flow rates of Wade roof outlets have been established by full-scale tests. The values shown in the table are 75% of such tests. The design of the layout of roof outlets should be in accordance with the recommendations given in BS EN 12056:3.