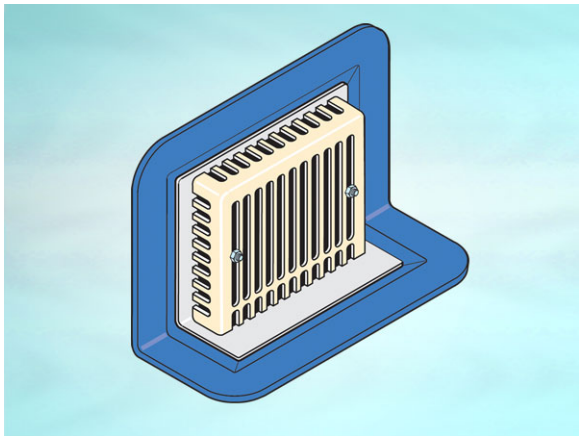


## Product Details

### WF003 Reversible Outlet

### Technical Data



#### Dimensions:

150 x 125 at finish level  
 257 x 138 body  
 203 - Overall Height  
 52 - depth body flange to outlet center line

**Connection** - female 3" BSP threaded connection (75mm)

**Free Area** - body= 44cm<sup>2</sup>, grating= 115cm<sup>2</sup>

**Materials** - Grating - nickel bronze; Body - cast iron, lacquered; Membrane Clamp - sherardized ductile iron

**Weight** - 5.1 kg

#### General Description:

150 x 125 Nickel Bronze Parapet Reversible Outlet, with 3" BSP dia. horizontal outlet. Parapet outlet with reversible body to provide horizontal or vertical threaded outlet.

#### Options:

To specify an option, add option letter(s) as a suffix to the Spec. Code

G - gravel guard

#### Materials:

**Cast Iron - BS EN 1561:** Used for bodies, membrane clamping collars, spigot adaptors and accessories such as extensions. A widely used metal in the drainage industry, its resistance to corrosion permits extended use under extreme conditions. Castings are coated with a high grade lacquer paint to provide internal and external surface coverage. Paint will gradually wear off and is replaceable; oxidisation (surface rusting) is a natural process which does not weaken the material. A zinc anti-corrosion coating is applied to certain castings by sherardizing.

**Ductile Iron - BS EN 1563 + 1564:** A casting with the ductility of steel, yet with more than twice the tensile strength of cast iron. A zinc anti-corrosion coating is applied by sherardizing.

**Nickel Bronze - BS EN 1982:** Used with satin finish for gratings, funnels and access covers. A cast alloy with a fine grain effect which blends well with most floor finishes. The satin finish is generally maintained by the slight abrasive action of passing traffic. In unused areas the material will gradually tarnish. To restore lustre, apply a plain nylon scouring pad (not soap-filled) in the direction of grain. **Note: Avoid covering nickel bronze items with plastic sheeting after installation, otherwise blackening may occur.**

All dimensions are in millimetres unless stated. In line with general practice all dimensions shown are nominal.

Wade International

Third Avenue, Halstead, Essex, CO9 2SX.

Telephone: +44 (0)1787 475151

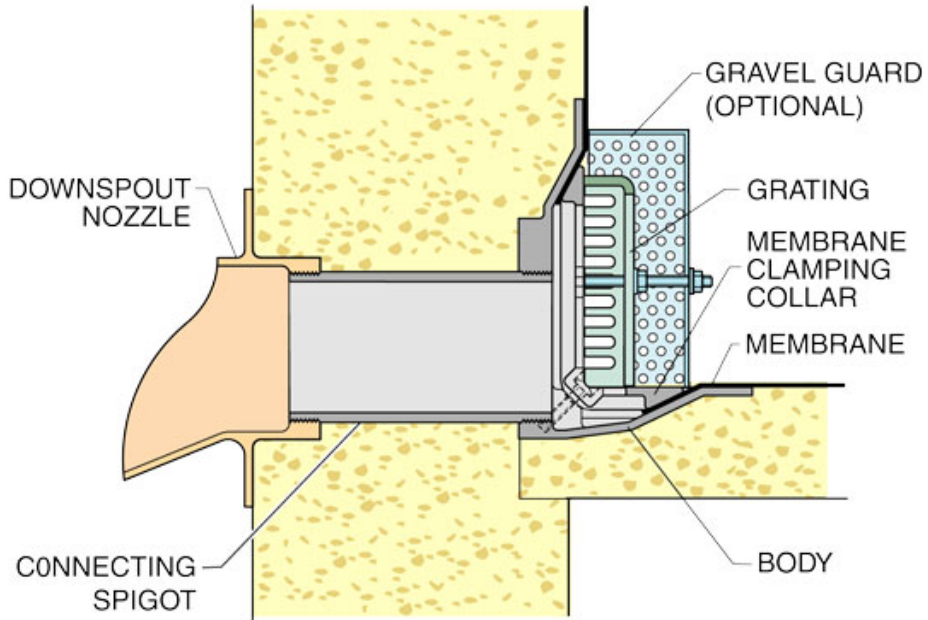
Fax: +44 (0)1787 475579

e-mail: wadetech@alumascwms.co.uk

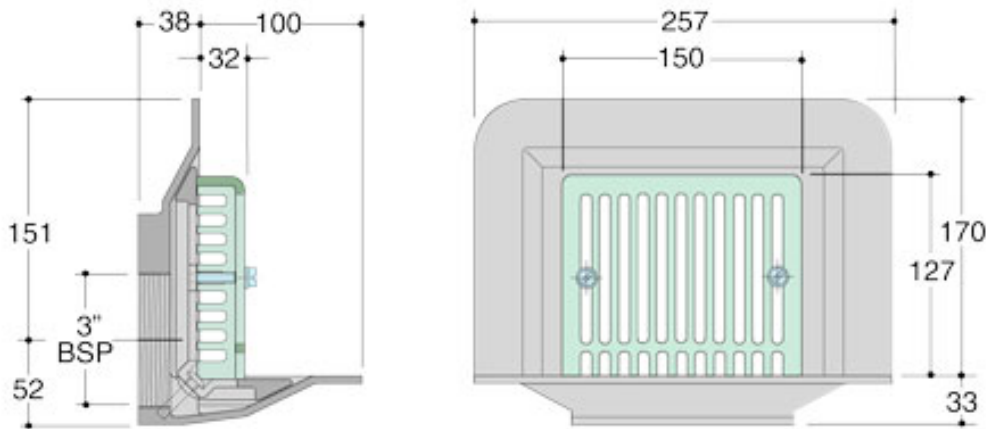
website: <https://www.alumascwms.co.uk/brands/wade/>

**Typical Installation for WF003:**

Note: This illustration may show a similar Wade Product - it is intended to show the general installation type only.



**Dimensioned Section for WF003:**



**Flow Performance Figures for WF003:**

<b>Head of water at outlet</b>	<b>15mm</b>	<b>20mm</b>	<b>25mm</b>	<b>30mm</b>	<b>35mm</b>	<b>40mm</b>	<b>50mm</b>
<b>Flow Rate (l/s):</b>	0.37	0.5	0.65	0.81	0.98	1.17	1.56
<b>Roof area drained (m<sup>2</sup>) at 0.021 l/s per m<sup>2</sup> rainfall rate:</b>	18	24	31	39	47	56	74

**Note:** Flow rates of Wade roof outlets have been established by full-scale tests. The values shown in the table are 75% of such tests. The design of the layout of roof outlets should be in accordance with the recommendations given in BS EN 12056:3.