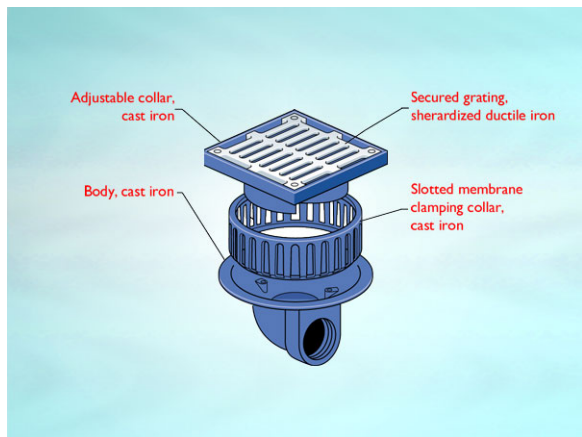


**Product Details**

**WD333 Outlet with Square Flat Grating**

**Technical Data**



**Dimensions:**

224 square at finish level  
 305 dia. body  
 119 - Height below Body Flange  
 94 to 121 - min/max height between membrane level and top of grating  
 68 - depth body flange to outlet center line

**Connection** - female 3" BSP threaded connection (75mm)

**Free Area** - body= 44cm<sup>2</sup>, grating= 170cm<sup>2</sup>

**Materials** - Grating - cast iron, sherardized; Body - cast iron, lacquered; Membrane Clamp - cast iron, lacquered

**Load Rating Class** - L15

**Weight** - 14.4 kg

**General Description:**

224 Square Cast Iron 3410 series (Medium Sump) No Fines Screenshot / Inverted Roof Outlet with Square Flat Grating, for use with unfinished (eg. bare concrete) or paved areas, with 3" BSP dia. horizontal outlet.

**Options:**

To specify an option, add option letter(s) as a suffix to the Spec. Code

K - bonded insulation jacket

Z - rigid PVC flange for use with PVC single ply membranes

**Materials:**

**Cast Iron - BS EN 1561:** Used for bodies, membrane clamping collars, spigot adaptors and accessories such as extensions. A widely used metal in the drainage industry, its resistance to corrosion permits extended use under extreme conditions. Castings are coated with a high grade lacquer paint to provide internal and external surface coverage. Paint will gradually wear off and is replaceable; oxidation (surface rusting) is a natural process which does not weaken the material. A zinc anti-corrosion coating is applied to certain castings by sherardizing.

All dimensions are in millimetres unless stated. In line with general practice all dimensions shown are nominal.

Wade International

Third Avenue, Halstead, Essex, CO9 2SX.

Telephone: +44 (0)1787 475151

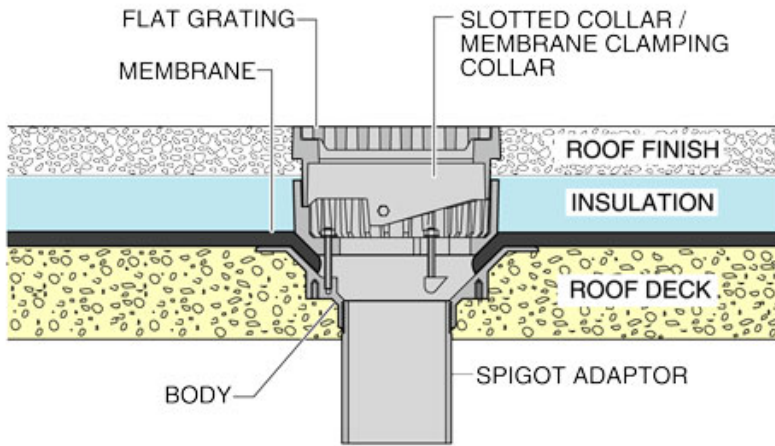
Fax: +44 (0)1787 475579

e-mail: wadetech@alumascwms.co.uk

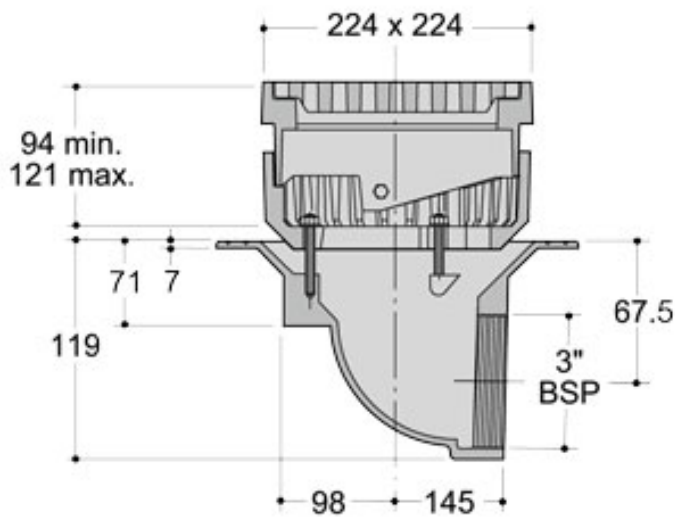
website: <https://www.alumascwms.co.uk/brands/wade/>

**Typical Installation for WD333:**

Note: This illustration may show a similar Wade Product - it is intended to show the general installation type only.



**Dimensioned Section for WD333:**



**Flow Performance Figures for WD333:**

<b>Head of water at outlet</b>	<b>15mm</b>	<b>20mm</b>	<b>25mm</b>	<b>30mm</b>	<b>35mm</b>	<b>40mm</b>	<b>50mm</b>
<b>Flow Rate (l/s):</b>	2.07	3.09	4.04	4.52	4.73	4.86	5.25
<b>Roof area drained (m<sup>2</sup>) at 0.021 l/s per m<sup>2</sup> rainfall rate:</b>	99	147	192	215	225	231	250

**Note:** Flow rates of Wade roof outlets have been established by full-scale tests. The values shown in the table are 75% of such tests. The design of the layout of roof outlets should be in accordance with the recommendations given in BS EN 12056:3.