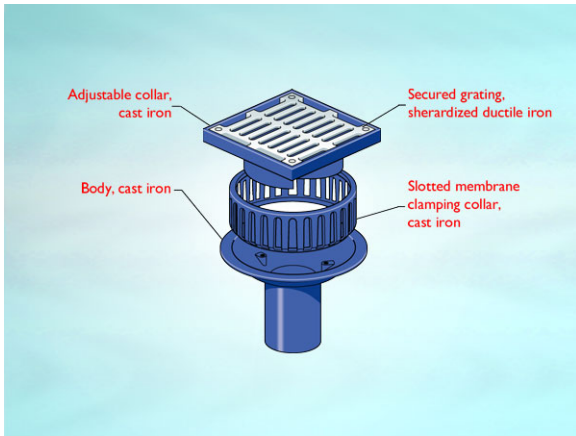


Product Details

WD303 Outlet with Square Flat Grating

Technical Data



Dimensions:

224 square at finish level
 305 dia. body
 165 - Height below Body Flange
 94 to 121 - min/max height between membrane level and top of grating

Connection - 3" BS416 (75mm) / Harmer SML

Free Area - body= 44cm², grating= 170cm²

Materials - Grating - cast iron, sherardized; Body - cast iron, lacquered; Membrane Clamp - cast iron, lacquered

Load Rating Class - L15

Weight - 12.6 kg

General Description:

224 Square Cast Iron 3410 series (Medium Sump) No Fines Screenshot / Inverted Roof Outlet with Square Flat Grating, for use with unfinished (eg. bare concrete) or paved areas, with 87 dia. vertical outlet.

Options:

To specify an option, add option letter(s) as a suffix to the Spec. Code

K - bonded insulation jacket

Z - rigid PVC flange for use with PVC single ply membranes

Materials:

Cast Iron - BS EN 1561: Used for bodies, membrane clamping collars, spigot adaptors and accessories such as extensions. A widely used metal in the drainage industry, its resistance to corrosion permits extended use under extreme conditions. Castings are coated with a high grade lacquer paint to provide internal and external surface coverage. Paint will gradually wear off and is replaceable; oxidation (surface rusting) is a natural process which does not weaken the material. A zinc anti-corrosion coating is applied to certain castings by sherardizing.

All dimensions are in millimetres unless stated. In line with general practice all dimensions shown are nominal.

Wade International

Third Avenue, Halstead, Essex, CO9 2SX.

Telephone: +44 (0)1787 475151

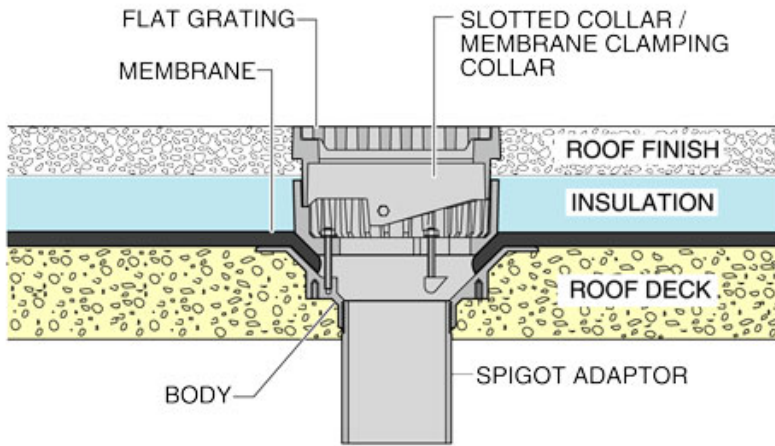
Fax: +44 (0)1787 475579

e-mail: wadetech@alumascwms.co.uk

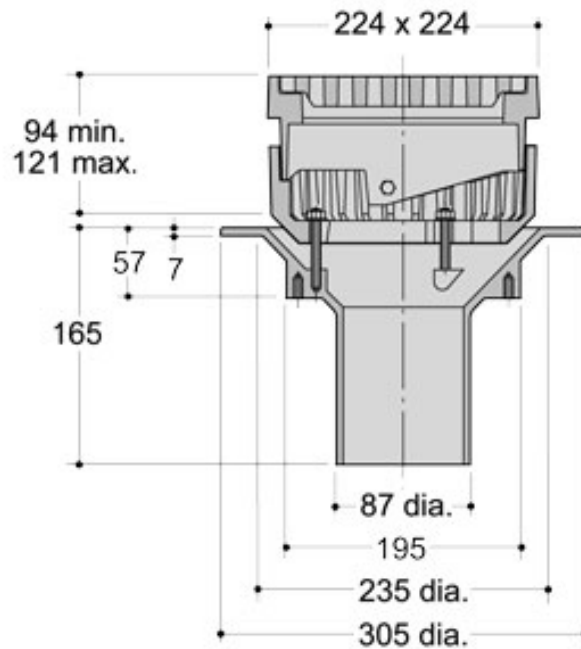
website: <https://www.alumascwms.co.uk/brands/wade/>

Typical Installation for WD303:

Note: This illustration may show a similar Wade Product - it is intended to show the general installation type only.



Dimensioned Section for WD303:



Flow Performance Figures for WD303:

Head of water at outlet	15mm	20mm	25mm	30mm	35mm	40mm	50mm
Flow Rate (l/s):	2.28	3.29	4.1	4.24	4.29	4.31	4.45
Roof area drained (m²) at 0.021 l/s per m² rainfall rate:	109	157	195	202	204	205	212

Note: Flow rates of Wade roof outlets have been established by full-scale tests. The values shown in the table are 75% of such tests. The design of the layout of roof outlets should be in accordance with the recommendations given in BS EN 12056:3.