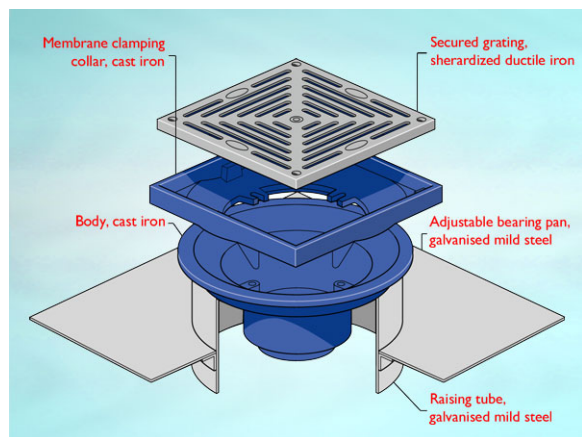


Product Details

WC918 Outlet with Square Flat Grating

Technical Data



Dimensions:

320 square at finish level
 405 dia. body
 600 square overall size
 149 - Height below Body Flange
 20 to 135 - min/max height between roof deck and membrane level

Connection - 8" (200mm) Cast Iron / Harmer SML

Free Area - body= 314cm², grating= 295cm²

Materials - Grating - ductile iron, sherardized; Body - cast iron, lacquered; Membrane Clamp - cast iron, lacquered

Load Rating Class - H1.5

Weight - 29.3 kg

General Description:

320 Square Cast Iron 3100 series (Deep Sump) Warm Roof Outlet with Square Flat Grating.

Options:

To specify an option, add option letter(s) as a suffix to the Spec. Code

K - bonded insulation jacket

Z - rigid PVC flange for use with PVC single ply membranes

Materials:

Cast Iron - BS EN 1561: Used for bodies, membrane clamping collars, spigot adaptors and accessories such as extensions. A widely used metal in the drainage industry, its resistance to corrosion permits extended use under extreme conditions. Castings are coated with a high grade lacquer paint to provide internal and external surface coverage. Paint will gradually wear off and is replaceable; oxidation (surface rusting) is a natural process which does not weaken the material. A zinc anti-corrosion coating is applied to certain castings by sherardizing.

Ductile Iron - BS EN 1563 + 1564: A casting with the ductility of steel, yet with more than twice the tensile strength of cast iron. A zinc anti-corrosion coating is applied by sherardizing.

All dimensions are in millimetres unless stated. In line with general practice all dimensions shown are nominal.

Wade International

Third Avenue, Halstead, Essex, CO9 2SX.

Telephone: +44 (0)1787 475151

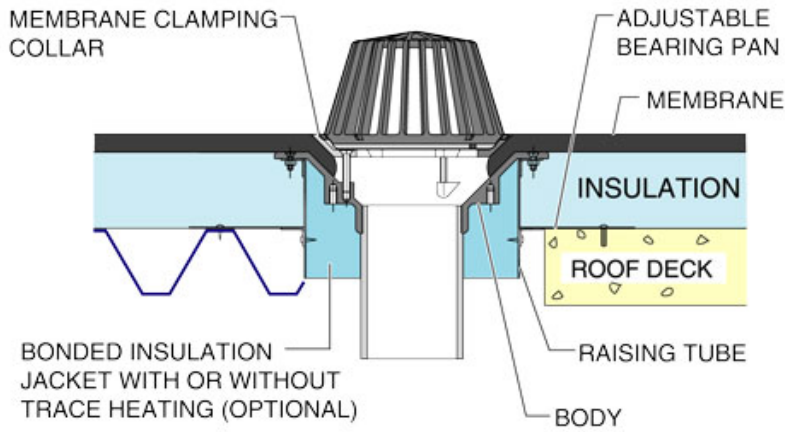
Fax: +44 (0)1787 475579

e-mail: wadetech@alumascwms.co.uk

website: <https://www.alumascwms.co.uk/brands/wade/>

Typical Installation for WC918:

Note: This illustration may show a similar Wade Product - it is intended to show the general installation type only.



Dimensioned Section for WC918:

