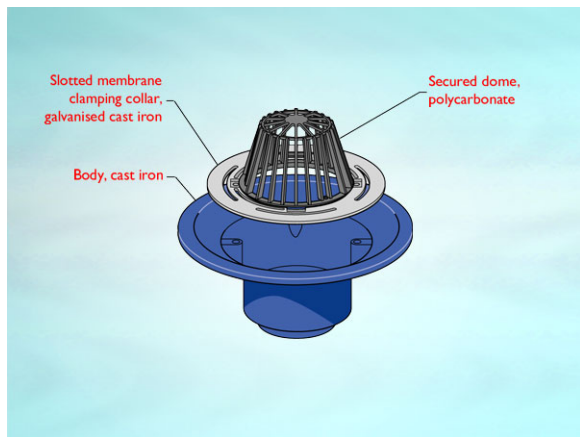


Product Details

WB414 Outlet with Circular Dome

Technical Data



Dimensions:

310 dia. at finish level

405 dia. body

149 - Height below Body Flange

Connection - female 4" BSP threaded connection (100mm)

Free Area - body= 78cm², grating= 510cm²

Materials - Dome - polycarbonate; Body - cast iron;

Membrane Clamp - cast iron, lacquered

Load Rating Class - K3

Weight - 16 kg

General Description:

310 Dia. Cast Iron 3100 series (Deep Sump) Cold Roof Outlet with Circular Dome, with 4" BSP dia. vertical outlet.

Options:

To specify an option, add option letter(s) as a suffix to the Spec. Code

K - bonded insulation jacket

SS - stainless steel dome

Z - rigid PVC flange for use with PVC single ply membranes

Materials:

Cast Iron - BS EN 1561: Used for bodies, membrane clamping collars, spigot adaptors and accessories such as extensions. A widely used metal in the drainage industry, its resistance to corrosion permits extended use under extreme conditions. Castings are coated with a high grade lacquer paint to provide internal and external surface coverage. Paint will gradually wear off and is replaceable; oxidation (surface rusting) is a natural process which does not weaken the material. A zinc anti-corrosion coating is applied to certain castings by sherardizing.

Polycarbonate: Used for domes. A polycarbonate/ABS blend which offers durability, high impact strength and long-term resistance to ultraviolet light.

All dimensions are in millimetres unless stated. In line with general practice all dimensions shown are nominal.

Wade International

Third Avenue, Halstead, Essex, CO9 2SX.

Telephone: +44 (0)1787 475151

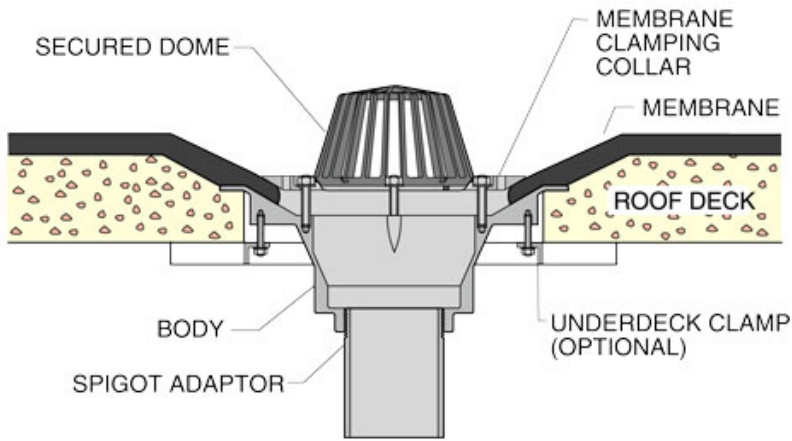
Fax: +44 (0)1787 475579

e-mail: wadetech@alumascwms.co.uk

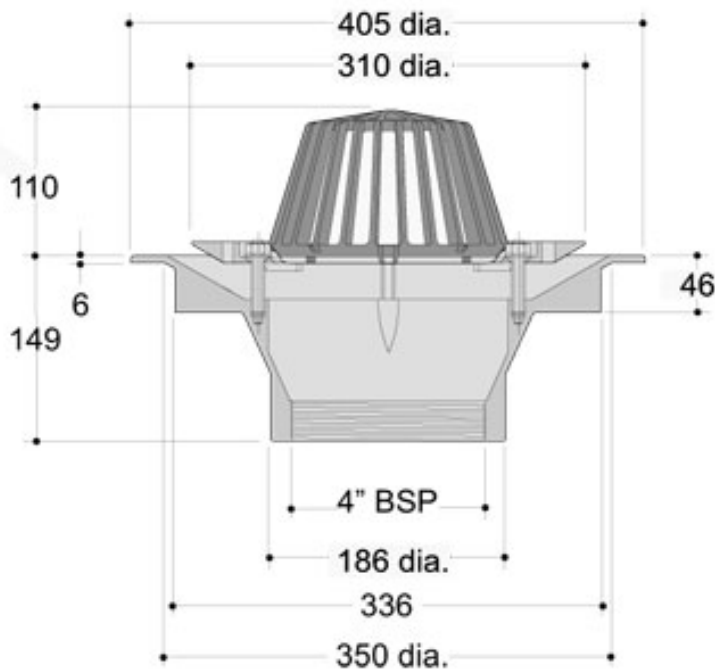
website: <https://www.alumascwms.co.uk/brands/wade/>

Typical Installation for WB414:

Note: This illustration may show a similar Wade Product - it is intended to show the general installation type only.



Dimensioned Section for WB414:



Flow Performance Figures for WB414:

Head of water at outlet	15mm	20mm	25mm	30mm	35mm	40mm	50mm
Flow Rate (l/s):	2.85	4.4	5.74	6.95	7.73	8.1	8.1
Roof area drained (m²) at 0.021 l/s per m² rainfall rate:	136	210	273	331	368	386	386

Note: Flow rates of Wade roof outlets have been established by full-scale tests. The values shown in the table are 75% of such tests. The design of the layout of roof outlets should be in accordance with the recommendations given in BS EN 12056:3.