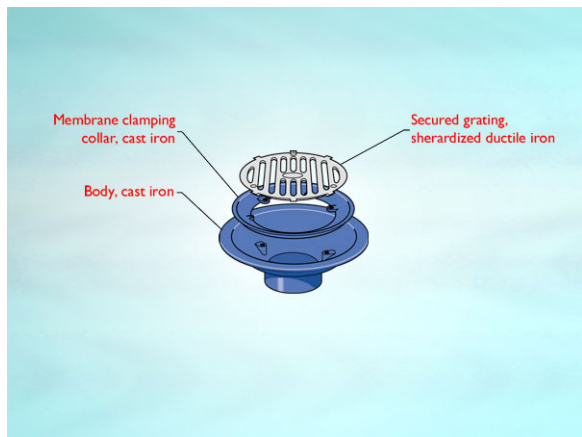


**Product Details**

**WB324 Outlet with Circular Flat Grating**

**Technical Data**



**Dimensions:**

220 dia. at finish level  
 305 dia. body  
 90 - Height below Body Flange

**Connection** - female 4" BSP threaded connection (100mm)

**Free Area** - body= 78cm<sup>2</sup>, grating= 130cm<sup>2</sup>

**Materials** - Grating - ductile iron, sherardized; Body - cast iron, lacquered; Membrane Clamp - cast iron, lacquered

**Load Rating Class** - L15

**Weight** - 5.9 kg

**General Description:**

220 Dia. Cast Iron 3400 series (Medium Sump) Cold Roof Outlet with Circular Flat Grating, for use with asphalt / composition finish, with 4" BSP dia. vertical outlet.

**Options:**

To specify an option, add option letter(s) as a suffix to the Spec. Code

K - bonded insulation jacket

Z - rigid PVC flange for use with PVC single ply membranes

**Materials:**

**Cast Iron - BS EN 1561:** Used for bodies, membrane clamping collars, spigot adaptors and accessories such as extensions. A widely used metal in the drainage industry, its resistance to corrosion permits extended use under extreme conditions. Castings are coated with a high grade lacquer paint to provide internal and external surface coverage. Paint will gradually wear off and is replaceable; oxidation (surface rusting) is a natural process which does not weaken the material. A zinc anti-corrosion coating is applied to certain castings by sherardizing.

**Ductile Iron - BS EN 1563 + 1564:** A casting with the ductility of steel, yet with more than twice the tensile strength of cast iron. A zinc anti-corrosion coating is applied by sherardizing.

All dimensions are in millimetres unless stated. In line with general practice all dimensions shown are nominal.

Wade International

Third Avenue, Halstead, Essex, CO9 2SX.

Telephone: +44 (0)1787 475151

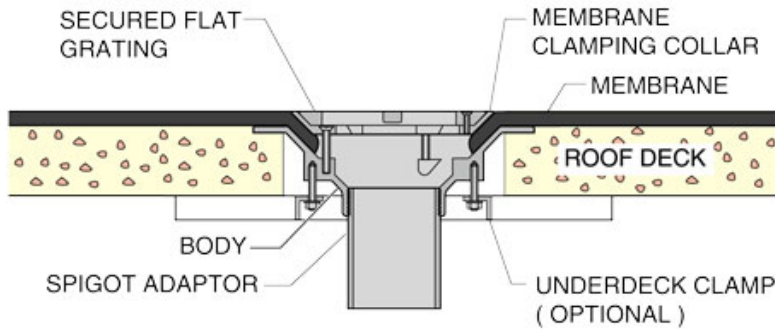
Fax: +44 (0)1787 475579

e-mail: wadetech@alumascwms.co.uk

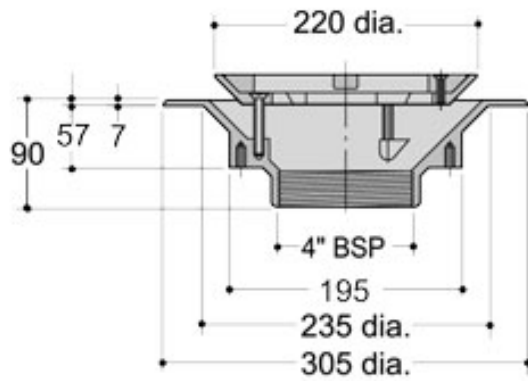
website: <https://www.alumascwms.co.uk/brands/wade/>

**Typical Installation for WB324:**

Note: This illustration may show a similar Wade Product - it is intended to show the general installation type only.



**Dimensioned Section for WB324:**



**Flow Performance Figures for WB324:**

<b>Head of water at outlet</b>	<b>15mm</b>	<b>20mm</b>	<b>25mm</b>	<b>30mm</b>	<b>35mm</b>	<b>40mm</b>	<b>50mm</b>
<b>Flow Rate (l/s):</b>	1.97	3.09	4.04	4.77	5.05	5.25	5.84
<b>Roof area drained (m<sup>2</sup>) at 0.021 l/s per m<sup>2</sup> rainfall rate:</b>	94	147	192	227	240	250	278

**Note:** Flow rates of Wade roof outlets have been established by full-scale tests. The values shown in the table are 75% of such tests. The design of the layout of roof outlets should be in accordance with the recommendations given in BS EN 12056:3.