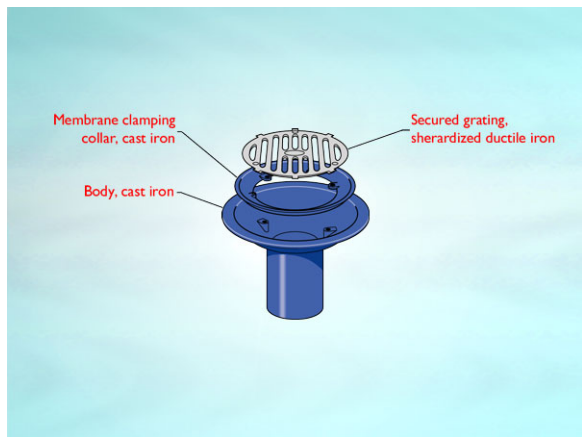


Product Details

WB304 Outlet with Circular Flat Grating

Technical Data



Dimensions:

220 dia. at finish level

305 dia. body

190 - Height below Body Flange

Connection - 4" BS416, 100mm DIN19522 / Harmer SML

Free Area - body= 78cm², grating= 130cm²

Materials - Grating - ductile iron, sherardized; Body - cast iron, lacquered; Membrane Clamp - cast iron, lacquered

Load Rating Class - L15

Weight - 7.1 kg

General Description:

220 Dia. Cast Iron 3400 series (Medium Sump) Cold Roof Outlet with Circular Flat Grating, for use with asphalt / composition finish, with 111 dia. vertical outlet.

Options:

To specify an option, add option letter(s) as a suffix to the Spec. Code

K - bonded insulation jacket

Z - rigid PVC flange for use with PVC single ply membranes

Materials:

Cast Iron - BS EN 1561: Used for bodies, membrane clamping collars, spigot adaptors and accessories such as extensions. A widely used metal in the drainage industry, its resistance to corrosion permits extended use under extreme conditions. Castings are coated with a high grade lacquer paint to provide internal and external surface coverage. Paint will gradually wear off and is replaceable; oxidation (surface rusting) is a natural process which does not weaken the material. A zinc anti-corrosion coating is applied to certain castings by sherardizing.

Ductile Iron - BS EN 1563 + 1564: A casting with the ductility of steel, yet with more than twice the tensile strength of cast iron. A zinc anti-corrosion coating is applied by sherardizing.

All dimensions are in millimetres unless stated. In line with general practice all dimensions shown are nominal.

Wade International

Third Avenue, Halstead, Essex, CO9 2SX.

Telephone: +44 (0)1787 475151

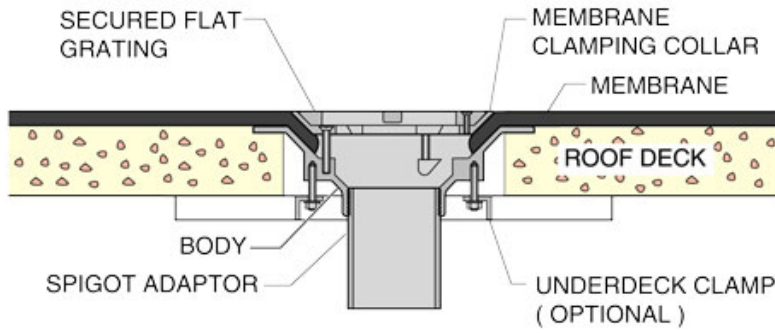
Fax: +44 (0)1787 475579

e-mail: wadetech@alumascwms.co.uk

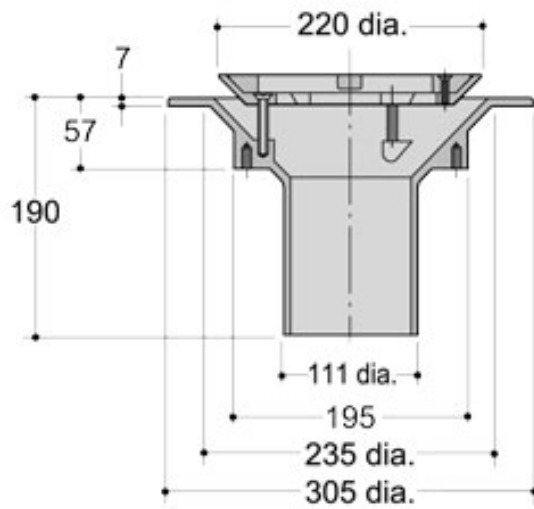
website: <https://www.alumascwms.co.uk/brands/wade/>

Typical Installation for WB304:

Note: This illustration may show a similar Wade Product - it is intended to show the general installation type only.



Dimensioned Section for WB304:



Flow Performance Figures for WB304:

Head of water at outlet	15mm	20mm	25mm	30mm	35mm	40mm	50mm
Flow Rate (l/s):	1.97	3.09	4.04	4.77	5.05	5.25	5.84
Roof area drained (m²) at 0.021 l/s per m² rainfall rate:	94	147	192	227	240	250	278

Note: Flow rates of Wade roof outlets have been established by full-scale tests. The values shown in the table are 75% of such tests. The design of the layout of roof outlets should be in accordance with the recommendations given in BS EN 12056:3.