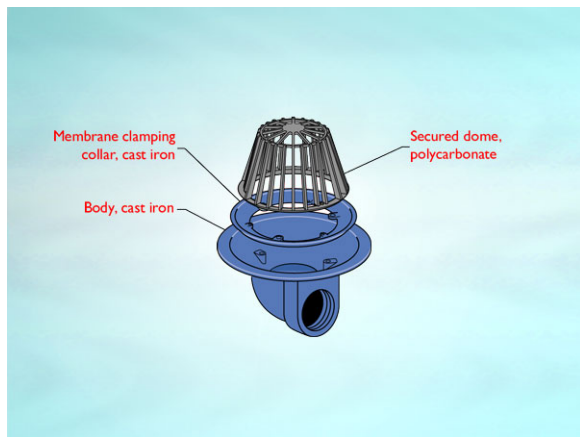


**Product Details**

**WB232 Outlet with Circular Dome**

**Technical Data**



**Dimensions:**

220 dia. at finish level  
305 dia. body  
119 - Height below Body Flange  
81 - depth body flange to outlet center line

**Connection** - female 2" BSP threaded connection (50mm)

**Free Area** - body= 19cm<sup>2</sup>, grating= 410cm<sup>2</sup>

**Materials** - Dome - polycarbonate; Body - cast iron;  
Membrane Clamp - cast iron, lacquered

**Load Rating Class** - K3

**Weight** - 7.3 kg

**General Description:**

220 Dia. Cast Iron 3400 series (Medium Sump) Cold Roof Outlet with Circular Dome, with 2" BSP dia. horizontal outlet.

**Options:**

To specify an option, add option letter(s) as a suffix to the Spec. Code

K - bonded insulation jacket

SS - stainless steel dome

Z - rigid PVC flange for use with PVC single ply membranes

**Materials:**

**Cast Iron - BS EN 1561:** Used for bodies, membrane clamping collars, spigot adaptors and accessories such as extensions. A widely used metal in the drainage industry, its resistance to corrosion permits extended use under extreme conditions. Castings are coated with a high grade lacquer paint to provide internal and external surface coverage. Paint will gradually wear off and is replaceable; oxidation (surface rusting) is a natural process which does not weaken the material. A zinc anti-corrosion coating is applied to certain castings by sherardizing.

**Polycarbonate:** Used for domes. A polycarbonate/ABS blend which offers durability, high impact strength and long-term resistance to ultraviolet light.

All dimensions are in millimetres unless stated. In line with general practice all dimensions shown are nominal.

Wade International

Third Avenue, Halstead, Essex, CO9 2SX.

Telephone: +44 (0)1787 475151

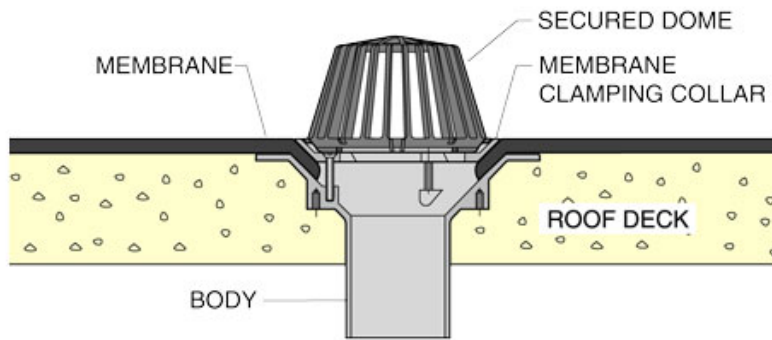
Fax: +44 (0)1787 475579

e-mail: wadetech@alumascwms.co.uk

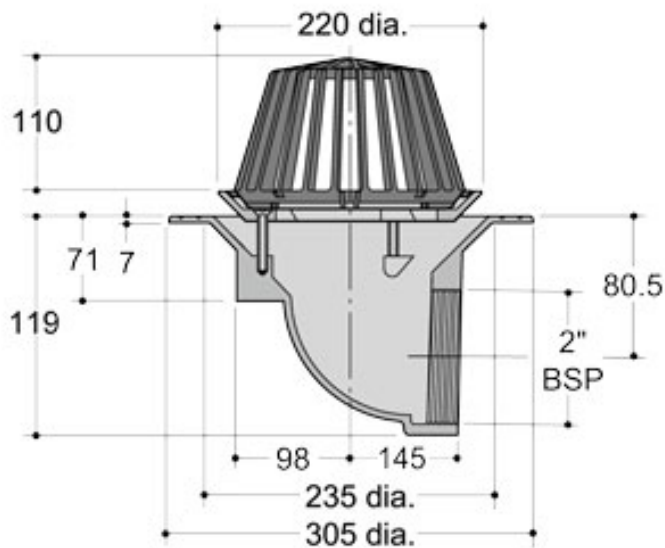
website: <https://www.alumascwms.co.uk/brands/wade/>

**Typical Installation for WB232:**

Note: This illustration may show a similar Wade Product - it is intended to show the general installation type only.



**Dimensioned Section for WB232:**



**Flow Performance Figures for WB232:**

<b>Head of water at outlet</b>	<b>15mm</b>	<b>20mm</b>	<b>25mm</b>	<b>30mm</b>	<b>35mm</b>	<b>40mm</b>	<b>50mm</b>
<b>Flow Rate (l/s):</b>	2	2.17	2.31	2.4	2.45	2.5	2.56
<b>Roof area drained (m<sup>2</sup>) at 0.021 l/s per m<sup>2</sup> rainfall rate:</b>	95	103	110	114	117	119	122

**Note:** Flow rates of Wade roof outlets have been established by full-scale tests. The values shown in the table are 75% of such tests. The design of the layout of roof outlets should be in accordance with the recommendations given in BS EN 12056:3.