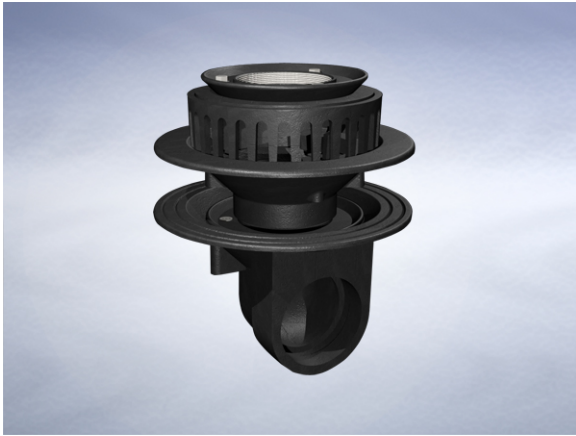


**Product Details**

**SD604 Sub-surface gully body**

**Technical Data**



**Dimensions:**

305 dia. body

183 - Height below Body Flange

183 - depth body flange to outlet center line

**Connection** - female 4" BSP threaded connection (100mm)

**Materials** - Cast iron, lacquered

**Weight** - 19.9 kg

**General Description:**

Cast Iron Vari-Level Sub-surface gully body (to allow sub-surface drainage such as with cavity membranes with membrane above insulation), with 4" BSP dia. Outlet. Cast iron slotted membrane clamp included.

**Materials:**

**Cast Iron - BS EN 1561:** Used for bodies, membrane clamping collars, spigot adaptors and accessories such as extensions. A widely used metal in the drainage industry, its resistance to corrosion permits extended use under extreme conditions. Castings are coated with a high grade lacquer paint to provide internal and external surface coverage. Paint will gradually wear off and is replaceable; oxidation (surface rusting) is a natural process which does not weaken the material. A zinc anti-corrosion coating is applied to certain castings by sherardizing.

---

All dimensions are in millimetres unless stated. In line with general practice all dimensions shown are nominal.

Wade International

Third Avenue, Halstead, Essex, CO9 2SX.

Telephone: +44 (0)1787 475151

Fax: +44 (0)1787 475579

e-mail: [wadetech@alumascwms.co.uk](mailto:wadetech@alumascwms.co.uk)

website: <https://www.alumascwms.co.uk/brands/wade/>

**Dimensioned Section for SD604:**

