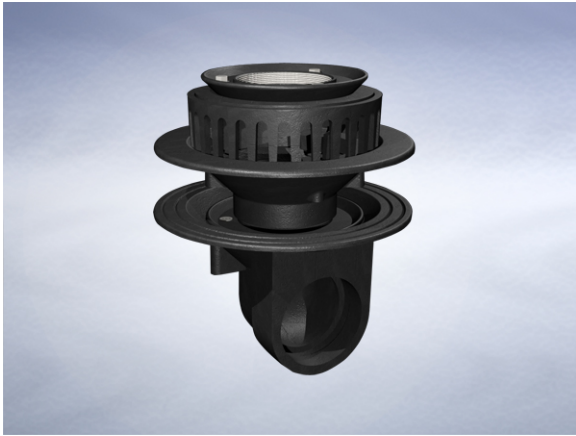


Product Details

SD602 Sub-surface gully body

Technical Data



Dimensions:

305 dia. body

119 - Height below Body Flange

119 - depth body flange to outlet center line

Connection - female 2" BSP threaded connection (50mm)

Materials - Cast iron, lacquered

Weight - 18.7 kg

General Description:

Cast Iron Vari-Level Sub-surface gully body (to allow sub-surface drainage such as with cavity membranes with membrane above insulation), with 2" BSP dia. Outlet. Cast iron slotted membrane clamp included.

Materials:

Cast Iron - BS EN 1561: Used for bodies, membrane clamping collars, spigot adaptors and accessories such as extensions. A widely used metal in the drainage industry, its resistance to corrosion permits extended use under extreme conditions. Castings are coated with a high grade lacquer paint to provide internal and external surface coverage. Paint will gradually wear off and is replaceable; oxidisation (surface rusting) is a natural process which does not weaken the material. A zinc anti-corrosion coating is applied to certain castings by sherardizing.

All dimensions are in millimetres unless stated. In line with general practice all dimensions shown are nominal.

Wade International

Third Avenue, Halstead, Essex, CO9 2SX.

Telephone: +44 (0)1787 475151

Fax: +44 (0)1787 475579

e-mail: wadetech@alumascwms.co.uk

website: <https://www.alumascwms.co.uk/brands/wade/>

Dimensioned Section for SD602:

