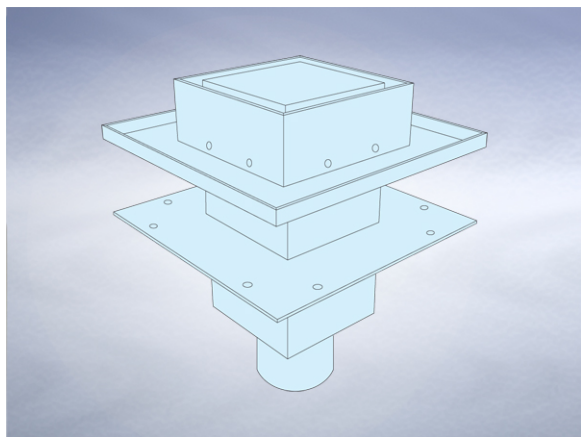


Product Details

Q904 Lorry deck gully

Technical Data



Dimensions:

200 square at finish level

20 - grating aperture width

390 - Overall Height

Connection - 110mm Plastic, 100mm DIN19522 / 4" BS416 / Harmer SML

Free Area - 144cm²

Materials - Stainless steel

Load Rating Class - P400

Weight - 17.5 kg

General Description:

200 Square Stainless Steel Q series Stainless Steel Gully Lorry deck gully (Optional lower flange may be used as a deck mounting flange and/or membrane flange.), with 110.2 dia. vertical outlet with 20mm grating aperture width. Heavy duty gully with peripheral drainage slot, designed for use in areas subject to high loads such as lorry decks, service and parking areas.

Options:

To specify an option, add option letter(s) as a suffix to the Spec. Code

F - flange and membrane clamp

H - fitted with Pin Torx screws for security applications

W - weepholes (provide supplementary drainage at membrane level)

Materials:

Stainless Steel - Austenitic Grade 304 (Grade 316 optional on most products): Used for bodies, gratings, funnels, access covers, filter buckets and fixings. A corrosion-resistant metal containing significant amounts of nickel and chromium; AISI grade 304 stainless steel is used as standard, which is suitable for general use in and around buildings including most coastal locations. In applications such as swimming pools or having an aggressive atmosphere, grade 316 is recommended and is available optionally (if available, code 'M' will be listed under 'Options'). An even higher grade may be required for applications in highly corrosive environments including where exposure to seawater may be anticipated. Clean with soap and warm water rinse and wipe dry. Gratings may also be cleaned in certain dishwashers. Under no circumstances treat with metal scouring pads, metal scrapers or wire wool as these will contaminate surfaces leaving rust spots. Take care to cover stainless steel items when site work is going on, to avoid contamination with rust-inducing particles such as when mild steel or cast iron items are being cut.

All dimensions are in millimetres unless stated. In line with general practice all dimensions shown are nominal.

Wade International

Third Avenue, Halstead, Essex, CO9 2SX.

Telephone: +44 (0)1787 475151

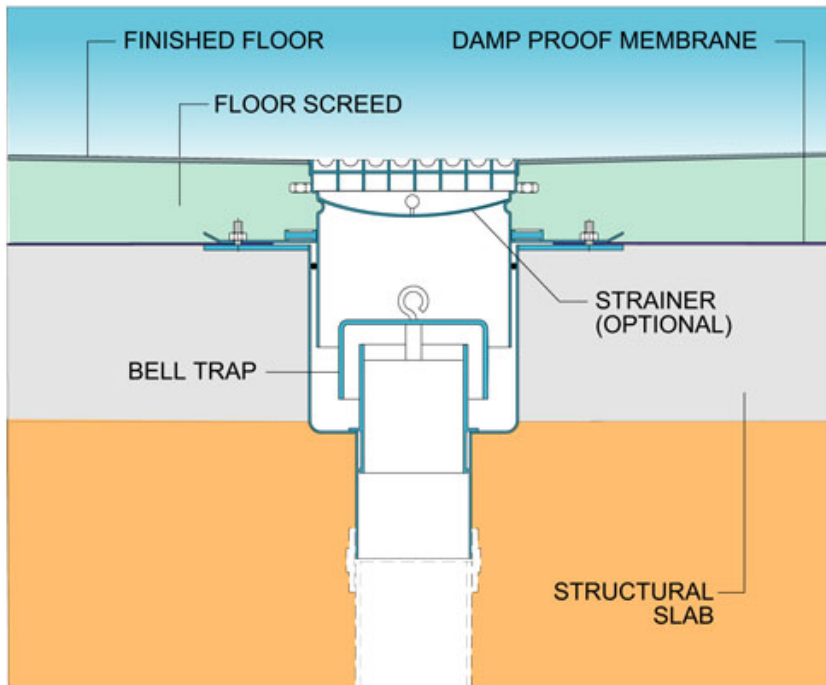
Fax: +44 (0)1787 475579

e-mail: wadetech@alumascwms.co.uk

website: <https://www.alumascwms.co.uk/brands/wade/>

Typical Installation for Q904:

Note: This illustration may show a similar Wade Product - it is intended to show the general installation type only.



Dimensioned Section for Q904:

