

Product Details

L2691 Grating

Technical Data



Dimensions:

150 square at finish level

57 - Overall Height

Connection - 110mm Plastic, 100mm DIN19522 / 4" BS416 / Harmer SML

Free Area - 55cm²

Materials - Cast iron, sherardized

Load Rating Class - L15

Weight - 1.7 kg

General Description:

150 Square Cast Iron Direct Connection Grating, for use with unfinished (eg. bare concrete) or paved areas, with 110.2 dia. vertical outlet. Robust and durable items, suited for service and parking areas and plant rooms; also for restoration or refurbishment projects where there is a requirement to match period architecture.

Options:

To specify an option, add option letter(s) as a suffix to the Spec. Code

H - fitted with Pin Torx screws for security applications

Materials:

Cast Iron - BS EN 1561: Used for bodies, membrane clamping collars, spigot adaptors and accessories such as extensions. A widely used metal in the drainage industry, its resistance to corrosion permits extended use under extreme conditions. Castings are coated with a high grade lacquer paint to provide internal and external surface coverage. Paint will gradually wear off and is replaceable; oxidation (surface rusting) is a natural process which does not weaken the material. A zinc anti-corrosion coating is applied to certain castings by sherardizing.

All dimensions are in millimetres unless stated. In line with general practice all dimensions shown are nominal.

Wade International

Third Avenue, Halstead, Essex, CO9 2SX.

Telephone: +44 (0)1787 475151

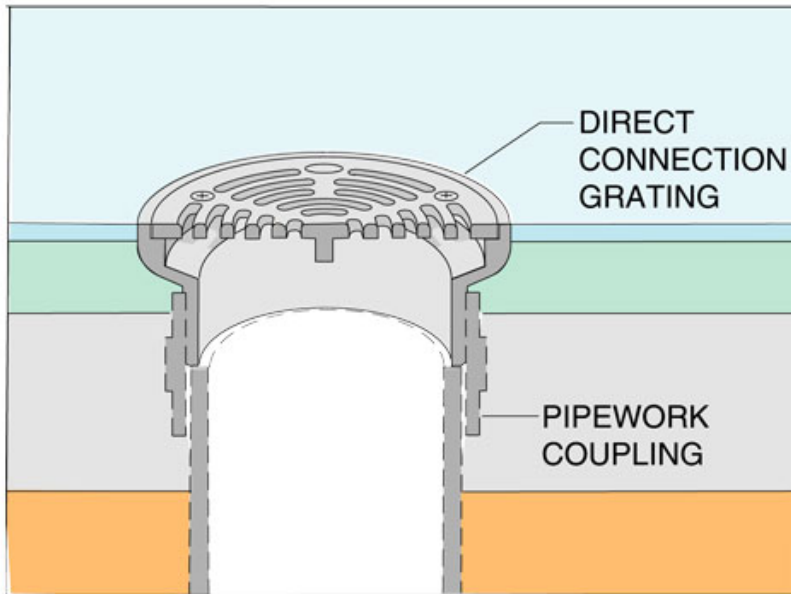
Fax: +44 (0)1787 475579

e-mail: wadetech@alumascwms.co.uk

website: <https://www.alumascwms.co.uk/brands/wade/>

Typical Installation for L2691:

Note: This illustration may show a similar Wade Product - it is intended to show the general installation type only.



Dimensioned Section for L2691:

