

Product Details

L2391 Grating

Technical Data



Dimensions:

150 square at finish level

48 - Overall Height

Connection - 110mm Plastic, 100mm DIN19522 / 4" BS416 / Harmer SML

Free Area - 40cm²

Materials - Nickel bronze

Load Rating Class - L15

Weight - 1.3 kg

General Description:

150 Square Nickel Bronze Direct Connection Grating, for use with tiles, marble, terrazzo, resin etc. flooring (Square framed grating), with 110.2 dia. vertical outlet. Durable, superbly finished items particularly suited to a high volume of pedestrian traffic.

Options:

To specify an option, add option letter(s) as a suffix to the Spec. Code

H - fitted with Pin Torx screws for security applications

Materials:

Nickel Bronze - BS EN 1982: Used with satin finish for gratings, funnels and access covers. A cast alloy with a fine grain effect which blends well with most floor finishes. The satin finish is generally maintained by the slight abrasive action of passing traffic. In unused areas the material will gradually tarnish. To restore lustre, apply a plain nylon scouring pad (not soap-filled) in the direction of grain. **Note: Avoid covering nickel bronze items with plastic sheeting after installation, otherwise blackening may occur.**

All dimensions are in millimetres unless stated. In line with general practice all dimensions shown are nominal.

Wade International

Third Avenue, Halstead, Essex, CO9 2SX.

Telephone: +44 (0)1787 475151

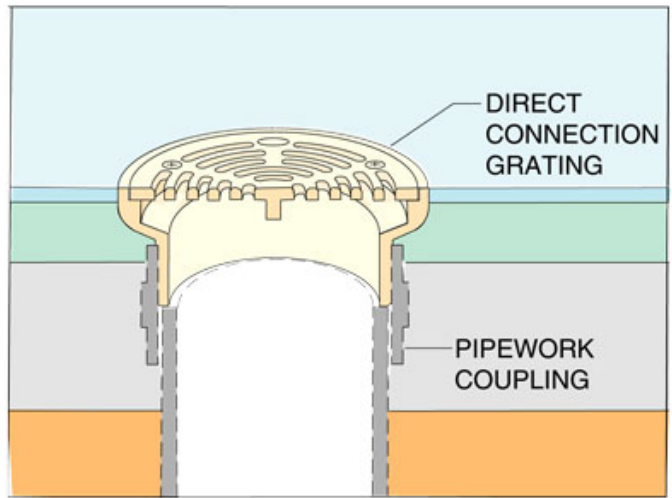
Fax: +44 (0)1787 475579

e-mail: wadetech@alumascwms.co.uk

website: <https://www.alumascwms.co.uk/brands/wade/>

Typical Installation for L2391:

Note: This illustration may show a similar Wade Product - it is intended to show the general installation type only.



Dimensioned Section for L2391:

