

**Product Details**

**K2591 Grating**

**Technical Data**



**Dimensions:**

176 dia. at finish level

60 - Overall Height

**Connection** - 110mm Plastic, 100mm DIN19522 / 4" BS416 / Harmer SML

**Free Area** - 85cm<sup>2</sup>

**Materials** - Cast iron, sherardized

**Load Rating Class** - L15

**Weight** - 1.8 kg

**General Description:**

176 Dia. Cast Iron Direct Connection Grating, for use with unfinished (eg. bare concrete) or paved areas, with 110.2 dia. vertical outlet. Robust and durable items, suited for service and parking areas and plant rooms; also for restoration or refurbishment projects where there is a requirement to match period architecture.

**Options:**

To specify an option, add option letter(s) as a suffix to the Spec. Code

A - asphalt membrane clamp (stainless steel)

H - fitted with Pin Torx screws for security applications

**Materials:**

**Cast Iron - BS EN 1561:** Used for bodies, membrane clamping collars, spigot adaptors and accessories such as extensions. A widely used metal in the drainage industry, its resistance to corrosion permits extended use under extreme conditions. Castings are coated with a high grade lacquer paint to provide internal and external surface coverage. Paint will gradually wear off and is replaceable; oxidation (surface rusting) is a natural process which does not weaken the material. A zinc anti-corrosion coating is applied to certain castings by sherardizing.

All dimensions are in millimetres unless stated. In line with general practice all dimensions shown are nominal.

Wade International

Third Avenue, Halstead, Essex, CO9 2SX.

Telephone: +44 (0)1787 475151

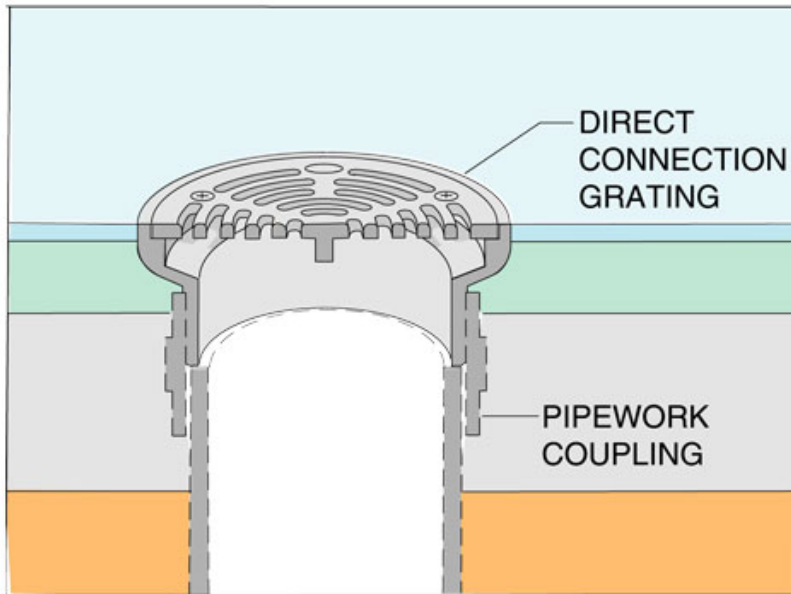
Fax: +44 (0)1787 475579

e-mail: [wadetech@alumascwms.co.uk](mailto:wadetech@alumascwms.co.uk)

website: <https://www.alumascwms.co.uk/brands/wade/>

**Typical Installation for K2591:**

Note: This illustration may show a similar Wade Product - it is intended to show the general installation type only.



**Dimensioned Section for K2591:**

