

## Product Details

### GV6803 Trapped Gully with Vertical Outlet

### Technical Data



#### Dimensions:

160 dia. at finish level

220 dia. body

103 - Height below Body Flange

**Connection** - 110mm Plastic, 100mm DIN19522 / SML / 4" BS416 & 50mm (2") solvent weld plastic socket

**Free Area** - 14cm<sup>2</sup>

**Materials** - Funnel, clamping collar - nickel bronze; Body, dip tube, bucket - plastic (ABS)

**Load Rating Class** - Non-Load Bearing

**Weight** - 2.4 kg

#### General Description:

160 Dia. Nickel Bronze Trapped Gully with Vertical Outlet, for use with flexible sheet floor covering (eg. vinyl) (110mm spigot outlet. A reducer is supplied for connection to 50mm pipework.), with 110.2, 2" Socket BS 5255 dia. vertical outlet. A compact, lightweight, trapped gully with funnel (tapered) 101 Dia x 100H for use in areas decked with flexible sheet floor covering such as vinyl, up to 3.5mm thickness.

#### Options:

To specify an option, add option letter(s) as a suffix to the Spec. Code

H - fitted with Pin Torx screws for security applications

#### Materials:

**ABS:** Used for bodies, dip tubes, extensions and spigot adaptors. A cost effective, fire resistant material.

**Nickel Bronze - BS EN 1982:** Used with satin finish for gratings, funnels and access covers. A cast alloy with a fine grain effect which blends well with most floor finishes. The satin finish is generally maintained by the slight abrasive action of passing traffic. In unused areas the material will gradually tarnish. To restore lustre, apply a plain nylon scouring pad (not soap-filled) in the direction of grain. **Note: Avoid covering nickel bronze items with plastic sheeting after installation, otherwise blackening may occur.**

All dimensions are in millimetres unless stated. In line with general practice all dimensions shown are nominal.

Wade International

Third Avenue, Halstead, Essex, CO9 2SX.

Telephone: +44 (0)1787 475151

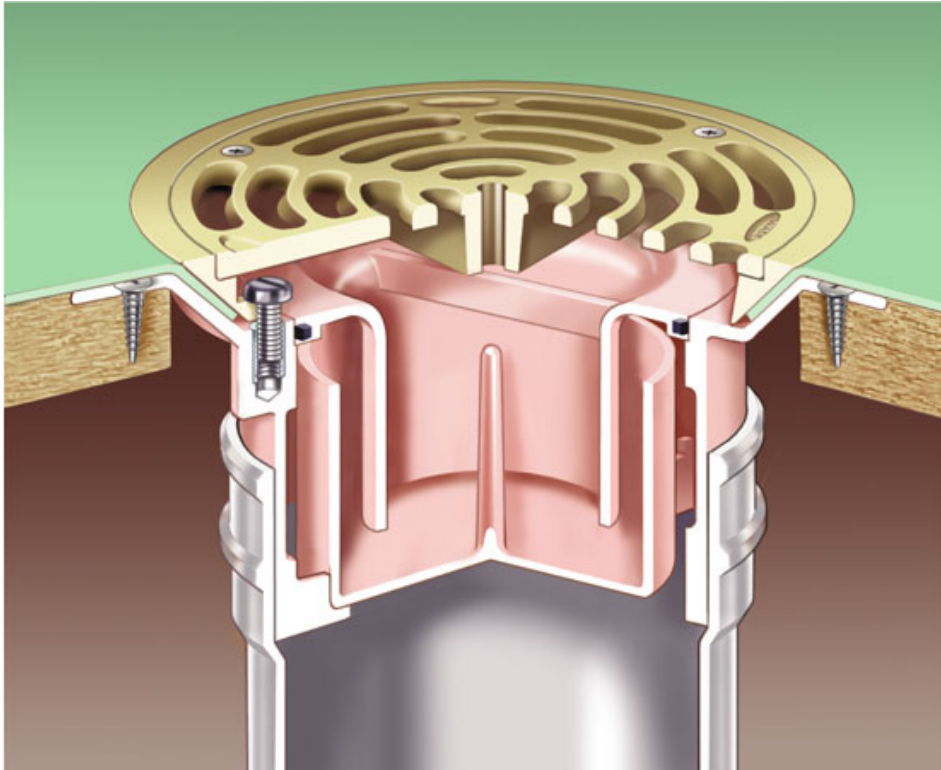
Fax: +44 (0)1787 475579

e-mail: [wadetech@alumascwms.co.uk](mailto:wadetech@alumascwms.co.uk)

website: <https://www.alumascwms.co.uk/brands/wade/>

**Typical Installation for GV6803:**

Note: This illustration may show a similar Wade Product - it is intended to show the general installation type only.



**Dimensioned Section for GV6803:**

