

Product Details

GV5803 'P' Trapped Gully Assembly

Technical Data



Dimensions:

160 dia. at finish level

220 dia. body

105 - Height below Body Flange

101 dia. x 100 h - funnel size

105 - depth body flange to outlet invert

Connection - 50mm solvent weld plastic socket (2")

Free Area - 14cm²

Materials - Funnel, clamping collar - nickel bronze; Body, dip tube, bucket - plastic (ABS)

Load Rating Class - Non-Load Bearing

Weight - 2.4 kg

General Description:

160 Dia. Nickel Bronze 'P' Trapped Gully Assembly, for use with flexible sheet floor covering (eg. vinyl) (2" socket outlet.), with 2" Socket BS 5255 dia. horizontal outlet. GV5803 is a compact, lightweight, 'trapped gully with funnel (tapered) 101 Dia x 100H for areas decked with flexible sheet floor covering such as vinyl, up to 3.5mm thickness.

Options:

To specify an option, add option letter(s) as a suffix to the Spec. Code

H - fitted with Pin Torx screws for security applications

Materials:

ABS: Used for bodies, dip tubes, extensions and spigot adaptors. A cost effective, fire resistant material.

Nickel Bronze - BS EN 1982: Used with satin finish for gratings, funnels and access covers. A cast alloy with a fine grain effect which blends well with most floor finishes. The satin finish is generally maintained by the slight abrasive action of passing traffic. In unused areas the material will gradually tarnish. To restore lustre, apply a plain nylon scouring pad (not soap-filled) in the direction of grain. **Note: Avoid covering nickel bronze items with plastic sheeting after installation, otherwise blackening may occur.**

All dimensions are in millimetres unless stated. In line with general practice all dimensions shown are nominal.

Wade International

Third Avenue, Halstead, Essex, CO9 2SX.

Telephone: +44 (0)1787 475151

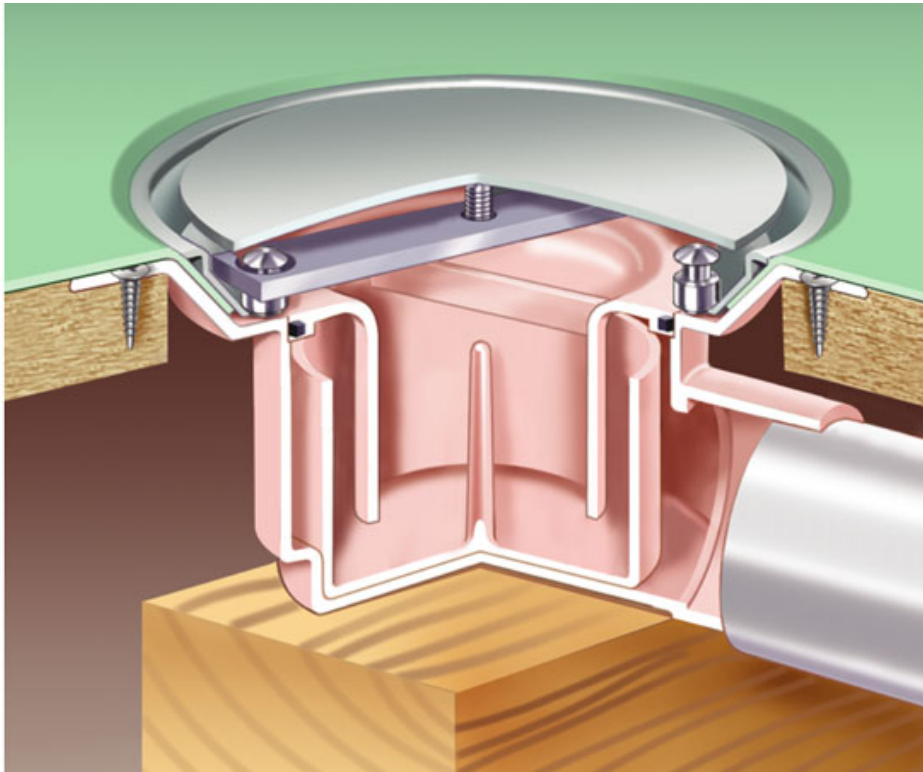
Fax: +44 (0)1787 475579

e-mail: wadetech@alumascwms.co.uk

website: <https://www.alumascwms.co.uk/brands/wade/>

Typical Installation for GV5803:

Note: This illustration may show a similar Wade Product - it is intended to show the general installation type only.



Dimensioned Section for GV5803:

