

Non-freeze water points

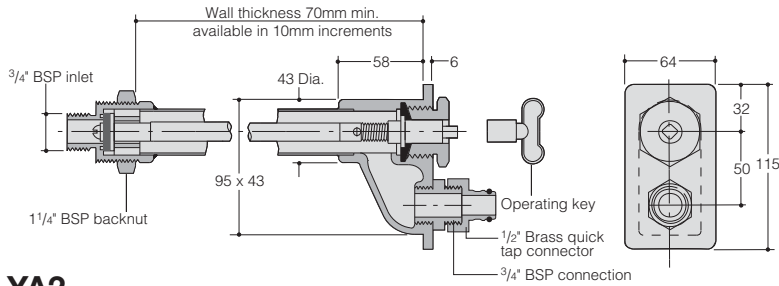
The *Wade non-freeze water point* provides an external water source for plant watering, area cleaning, vehicle wash down and similar activities.

The product is designed to be installed with the valve seal located inside a building, whilst the on/off control mechanism and hose connections are outside; when the valve is turned off, water drains out from the unit so that freezing cannot occur.

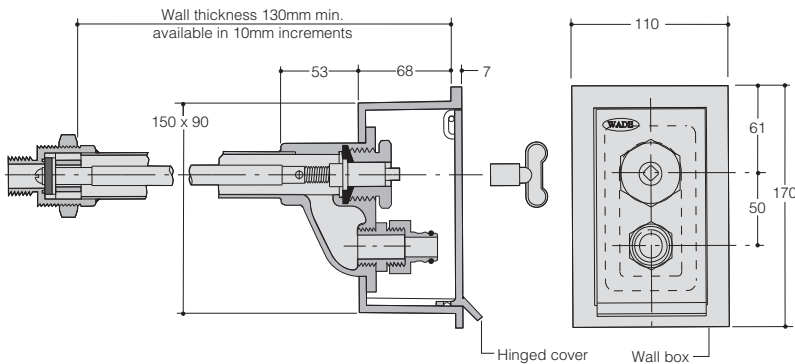
Made to suit a given wall thickness the product can be supplied with a wall box with optional locking cover to deter unauthorised access.

The *Wade non-freeze water point* is a UK Water Byelaws Scheme Approved Product **WRAS** APPROVED PRODUCT

YA1



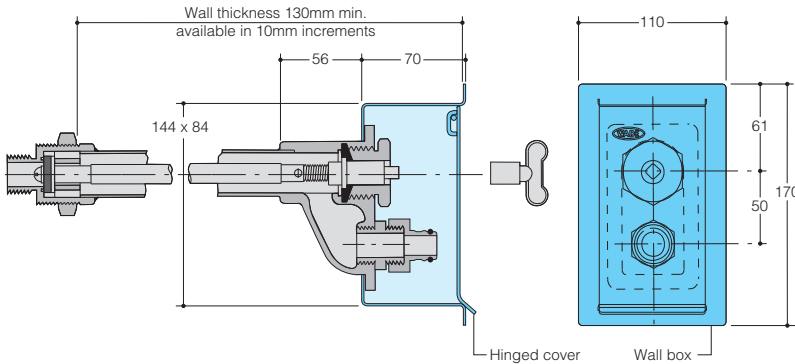
YA2



Cautionary note

Water points are non-freeze only when installed in the horizontal position, and are suitable for use only at normal mains supply pressure (up to 10 bar maximum).

YA3



Spec. Code	Wall box material/finish
YA101 + wall thickness mm	Without wall box
YA211 + wall thickness mm	Aluminium – white epoxy coated
YA212 + wall thickness mm	Nickel bronze – satin
YA213 + wall thickness mm	Gunmetal – satin
YA304 + wall thickness mm	Stainless steel grade 304 – satin
YA316 + wall thickness mm	Stainless steel grade 316 – satin

Installation notes

1. Install with inlet end on the inside of the building, in compliance with Water Regulations, Schedule 2, paragraph 15 (backflow prevention), as applicable to the installation's fluid category (determined by specifier).
2. Flush supply pipework before connecting.
3. Connect, and check for leaks – if leaking, remove centre stem assembly, examine and clean washer and seating, re-assemble and again check for leaks.

Options

Suffix 'L'

Locking cover. (Only available on versions with wall box).

Other finishes

Details on request.

Material

Water point: Cast gunmetal, copper tube, brass rod, malleable iron backnut.

Wall box material – see table.