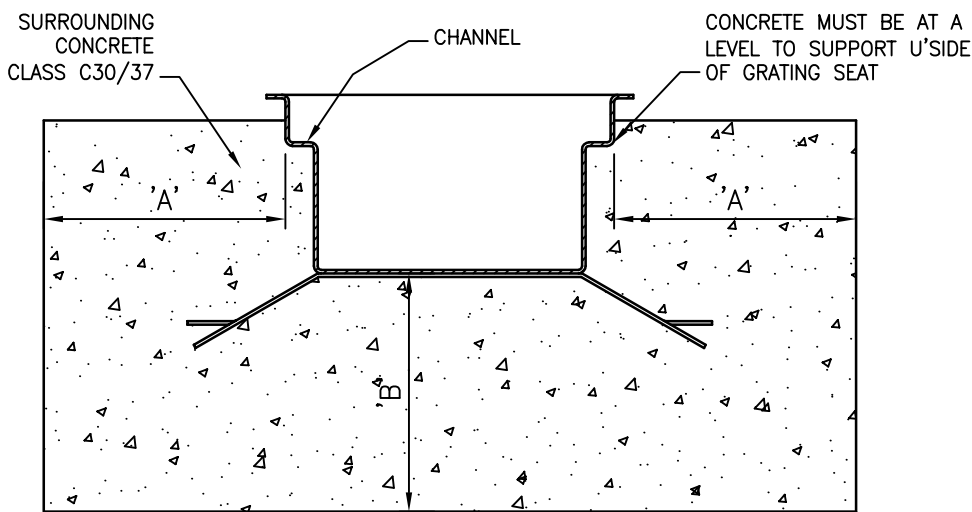


TABLE		
LOAD CLASS	'A'	'B'
CLASS A 15kN	>100mm	>100mm
CLASS B 125kN	>150mm	>150mm
CLASS C 250kN	>150mm	>150mm
CLASS D 400kN	>150mm	>150mm




**NOTES:**

All load figures given are based on channel being set in concrete as above.  
 For lower load classes, lesser amounts & grades of concrete may be suitable - consult a structural engineer for advice, if needed.

See also the installation sheet for the relevant channel profile, with particular reference to preventing the channel being "squeezed".

Any floor finish adjacent to the channel should be flush with the upper edge of the channel, or even better, should be 2-3mm higher than the upper edge of the channel & must be sufficient to support the channel edge, thus preventing damage.

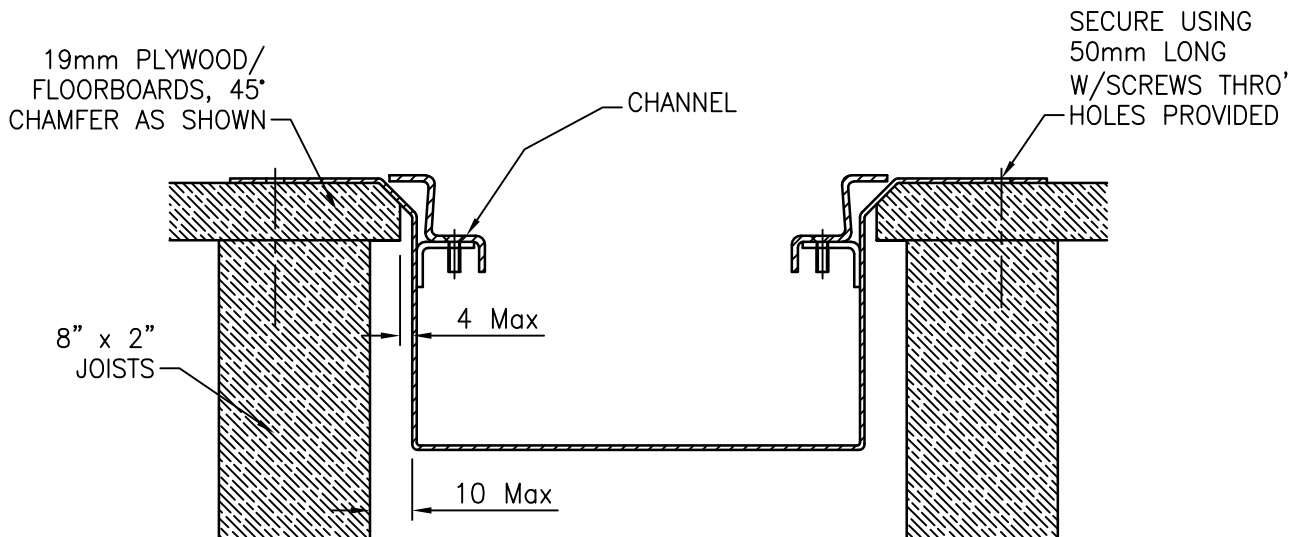
© 2013

ISS. No.	2		DRAWN	DC	13-6-13	TITLE TYPICAL INSTALLATION OF STAINLESS STEEL FLOOR CHANNELS IN CONCRETE		
C.N. No.	4824		CHECKED					
DATE	16/12/14		APPRVD.					
		MATERIAL	50910007#1			SCALE NTS	DRG. No. <b>INSTAL 52</b> SHEET 1 of 2	ISSUE No. 2

WADE INTERNATIONAL LTD., THIRD AVENUE, HALSTEAD, ESSEX, CO9 2SX.

TEL: 01787 475151 FAX: 01787 475579

e-mail: tech@wade.eu web site: www.wade.eu




SVFE PROFILE CHANNEL ILLUSTRATED –  
 ALSO APPLICABLE TO NEF PROFILE  
 (NOTE! NEF WILL NOT REQUIRE CHAMFER)

**NOTES:**

All load figures give in Wade literature n are based on channel being supported in timber deck as above.

For lower load classes, lesser size timbers may be suitable - consult a structural engineer for advice, if needed.

© 2013

ISS. No.	2		DRAWN	DC	13-6-13	TITLE  TYPICAL INSTALLATION OF STAINLESS STEEL FLOOR CHANNELS IN TIMBER DECK	
C.N. No.	4824		CHECKED				
DATE	16/12/14		APPRVD.				
		MATERIAL			SCALE	DRG. No.	ISSUE No.
		50910007#2			NTS	<b>INSTAL 52</b> SHEET 2 of 2	2

WADE INTERNATIONAL LTD., THIRD AVENUE, HALSTEAD, ESSEX, CO9 2SX.

TEL: 01787 475151 FAX: 01787 475579

e-mail: tech@wade.eu web site: www.wade.eu